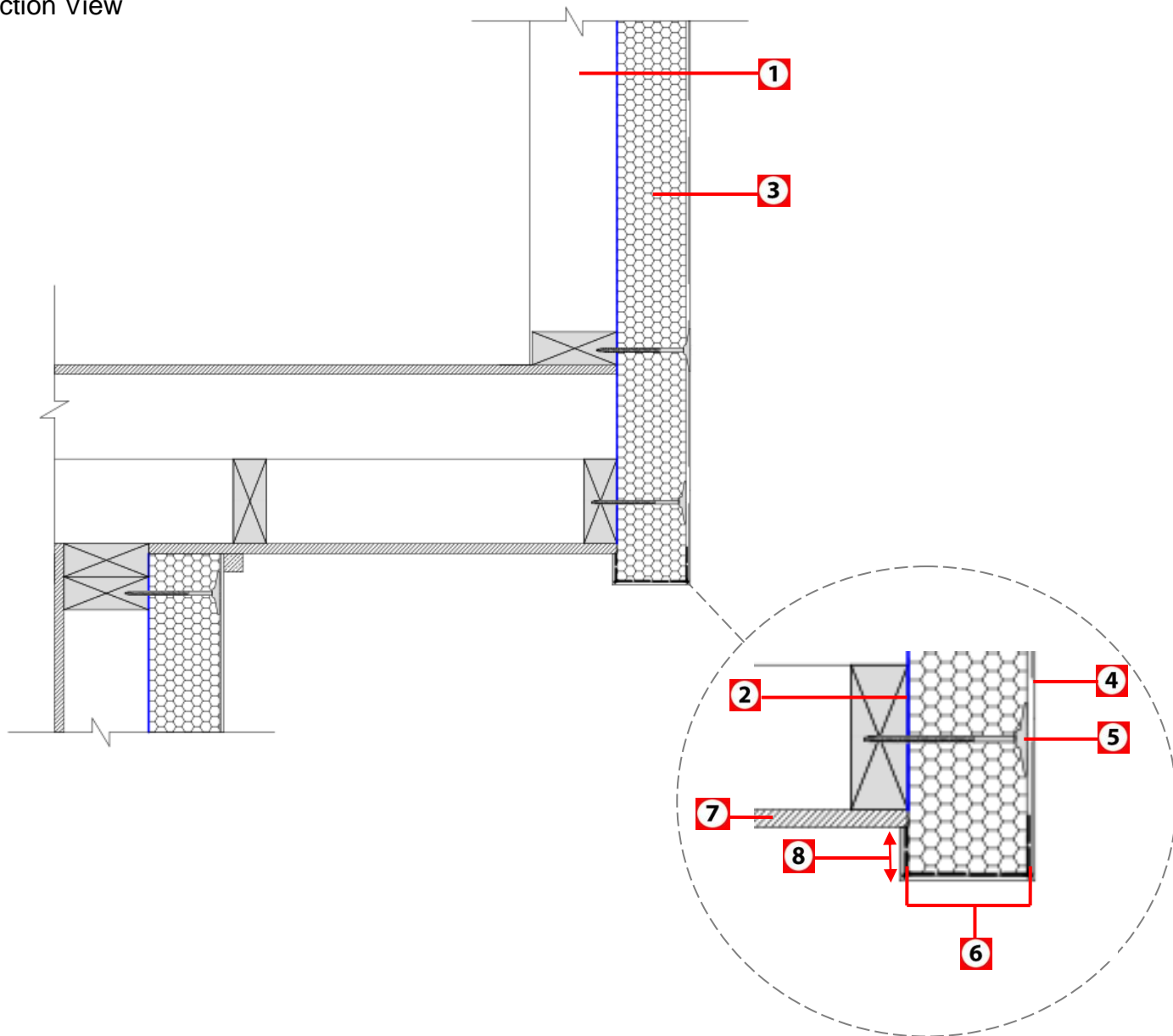


TECHNICAL DRAWINGS

Section View



- | | |
|---|---|
| 1 Timber Frame (35mm x 90mm) | 5 Class 3 Galvanized Screw & 48mm PVC Washer |
| 2 Watergate Weatherproof Wrap | 6 External Angle |
| 3 NuCLAD Panel | 7 Eve/Soffit Lining |
| 4 NuCLAD Render System
(With Mesh Embedded into 1 st Basecoat) | 8 Drip Edge Overhang
Min. - 35mm
Max. - Thickness of the Panel |

THE INFORMATION CONTAINED IN THIS DETAIL IS BASED ON OUR EXPERIENCE AND TESTING AND REPRESENTS THE LATEST INFORMATION AVAILABLE AT THE DATE OF ISSUE. THIS DETAIL IS INTENDED FOR USE BY THE DESIGN PROFESSIONAL AND USERS OF NUTEX PRODUCTS TO ASSIST IN DEVELOPING SPECIFIC PROJECT DETAILS TO BE USED IN CONJUNCTION WITH A NUTEX SPECIFICATION. WE RESERVE THE RIGHT TO ALTER OR UPDATE INFORMATION AT ANY TIME WITHOUT PRIOR NOTICE & IT IS THE RESPONSIBILITY OF THE SPECIFIER AND/OR THE PROJECT MANAGER TO ENSURE THAT THEY HAVE THE CURRENT NUTEX DETAILS AND SPECIFICATIONS.

NuTex
Coatings

287 Wellington Road
Mulgrave Vic 3170
Phone: +61 3 9544 8666
Fax: +61 3 9988 7738
E-Mail: info@nutex.com.au
www.nutex.com.au

NuCLAD EIFS DIRECT FIX

TD001-V01

**DRIP EDGE
DETAIL**