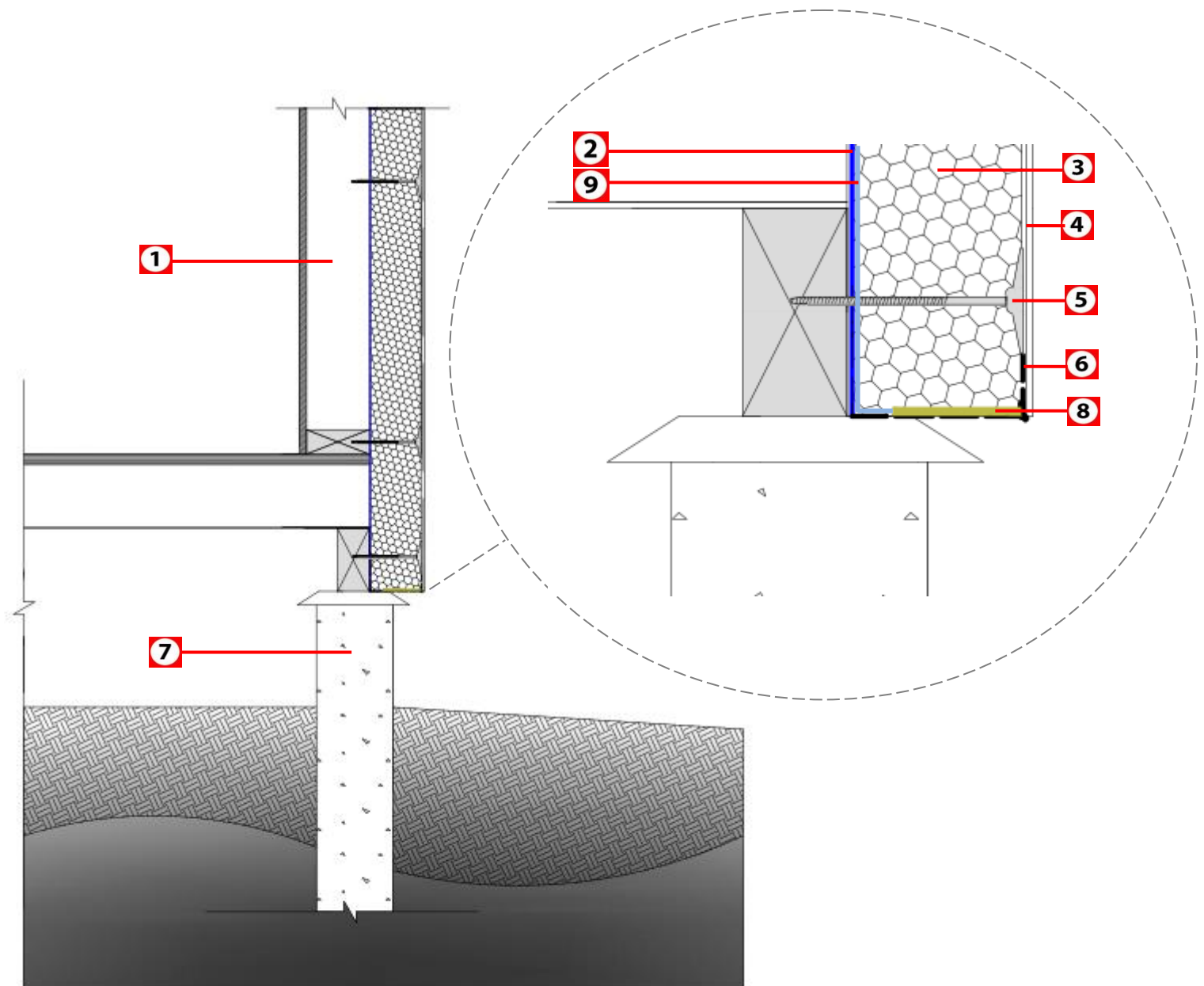


TECHNICAL DRAWINGS

Section View



- | | |
|---|--|
| 1 Timber Frame (35mm x 90mm) | 5 Class 3 Galvanized Screw & 48mm PVC Washer |
| 2 Watertight Weatherproof Wrap | 6 Starter Channel |
| 3 NuCLAD Panel | 7 Concrete Stump |
| 4 NuCLAD Render System
(With Mesh Embedded into 1 st Basecoat) | 8 Liquid Nails – Must be Solvent Free
(Do not apply glue near/over Starter Channel Weep Holes) |
| | 9 Waterproof Membrane to floor level |

THE INFORMATION CONTAINED IN THIS DETAIL IS BASED ON OUR EXPERIENCE AND TESTING AND REPRESENTS THE LATEST INFORMATION AVAILABLE AT THE DATE OF ISSUE. THIS DETAIL IS INTENDED FOR USE BY THE DESIGN PROFESSIONAL AND USERS OF NUTEX PRODUCTS TO ASSIST IN DEVELOPING SPECIFIC PROJECT DETAILS TO BE USED IN CONJUNCTION WITH A NUTEX SPECIFICATION. WE RESERVE THE RIGHT TO ALTER OR UPDATE INFORMATION AT ANY TIME WITHOUT PRIOR NOTICE & IT IS THE RESPONSIBILITY OF THE SPECIFIER AND/OR THE PROJECT MANAGER TO ENSURE THAT THEY HAVE THE CURRENT NUTEX DETAILS AND SPECIFICATIONS.

NuTex
Coatings

HEAD OFFICE
287 WELLINGTON ROAD
MULGRAVE VIC 3170
EMAIL: INFO@NUTEX.COM.AU
WEBSITE: WWW.NUTEX.COM.AU

NuCLAD EIFS DIRECT FIX

TD004-V01

**CONCRETE STUMP
DETAIL**