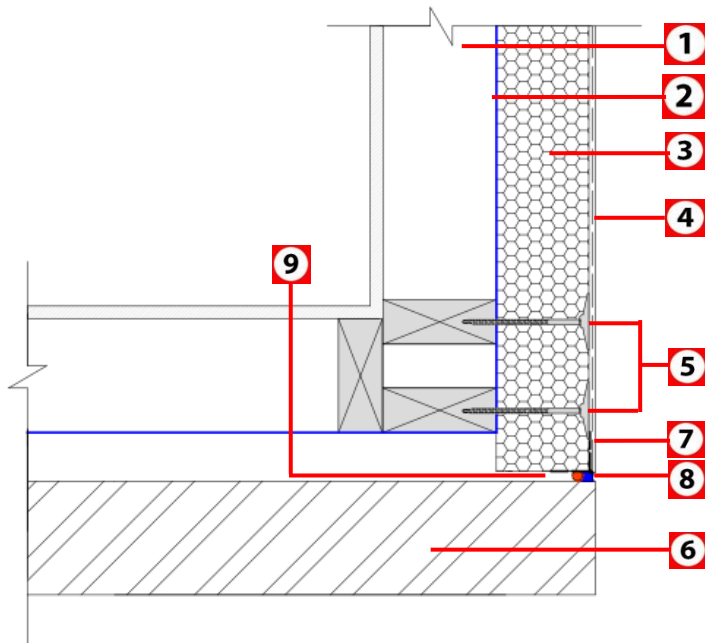
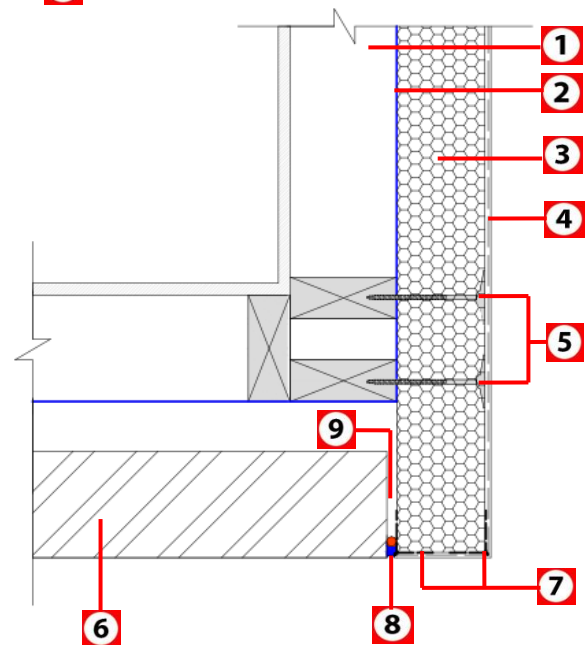


# TECHNICAL DRAWINGS

Junction 1 – Plan View



Junction 2 – Plan View



- |   |   |
|---|---|
| <ul style="list-style-type: none"> <li><b>1</b> Timber Frame (35mm x 90mm)</li> <li><b>2</b> Watertight Weatherproof Wrap</li> <li><b>3</b> NuCLAD Panel</li> <li><b>4</b> NuCLAD Render System<br/>(With Mesh Embedded into 1<sup>st</sup> Basecoat)</li> <li><b>5</b> Class 3 Galvanized Screw &amp; 48mm PVC Washer</li> </ul> | <ul style="list-style-type: none"> <li><b>6</b> Brick Veneer</li> <li><b>7</b> External Angle</li> <li><b>8</b> Corking (Backing Rod/Sealant) to be installed after the render system by a specialist Caulking expert</li> <li><b>9</b> Gap to be left between substrates is minimum of 12mm &amp; a maximum of 18mm</li> </ul> |
|---|---|

THE INFORMATION CONTAINED IN THIS DETAIL IS BASED ON OUR EXPERIENCE AND TESTING AND REPRESENTS THE LATEST INFORMATION AVAILABLE AT THE DATE OF ISSUE. THIS DETAIL IS INTENDED FOR USE BY THE DESIGN PROFESSIONAL AND USERS OF NUTEX PRODUCTS TO ASSIST IN DEVELOPING SPECIFIC PROJECT DETAILS TO BE USED IN CONJUNCTION WITH A NUTEX SPECIFICATION. WE RESERVE THE RIGHT TO ALTER OR UPDATE INFORMATION AT ANY TIME WITHOUT PRIOR NOTICE & IT IS THE RESPONSIBILITY OF THE SPECIFIER AND/OR THE PROJECT MANAGER TO ENSURE THAT THEY HAVE THE CURRENT NUTEX DETAILS AND SPECIFICATIONS.

**NuTex**  
Coatings

HEAD OFFICE  
287 WELLINGTON ROAD  
MULGRAVE VIC 3170  
EMAIL: INFO@NUTEX.COM.AU  
WEBSITE: WWW.NUTEX.COM.AU

NuCLAD EIFS DIRECT FIX

TD005-V01

**NuCLAD Panel &  
Brick Veneer -  
External Corner**