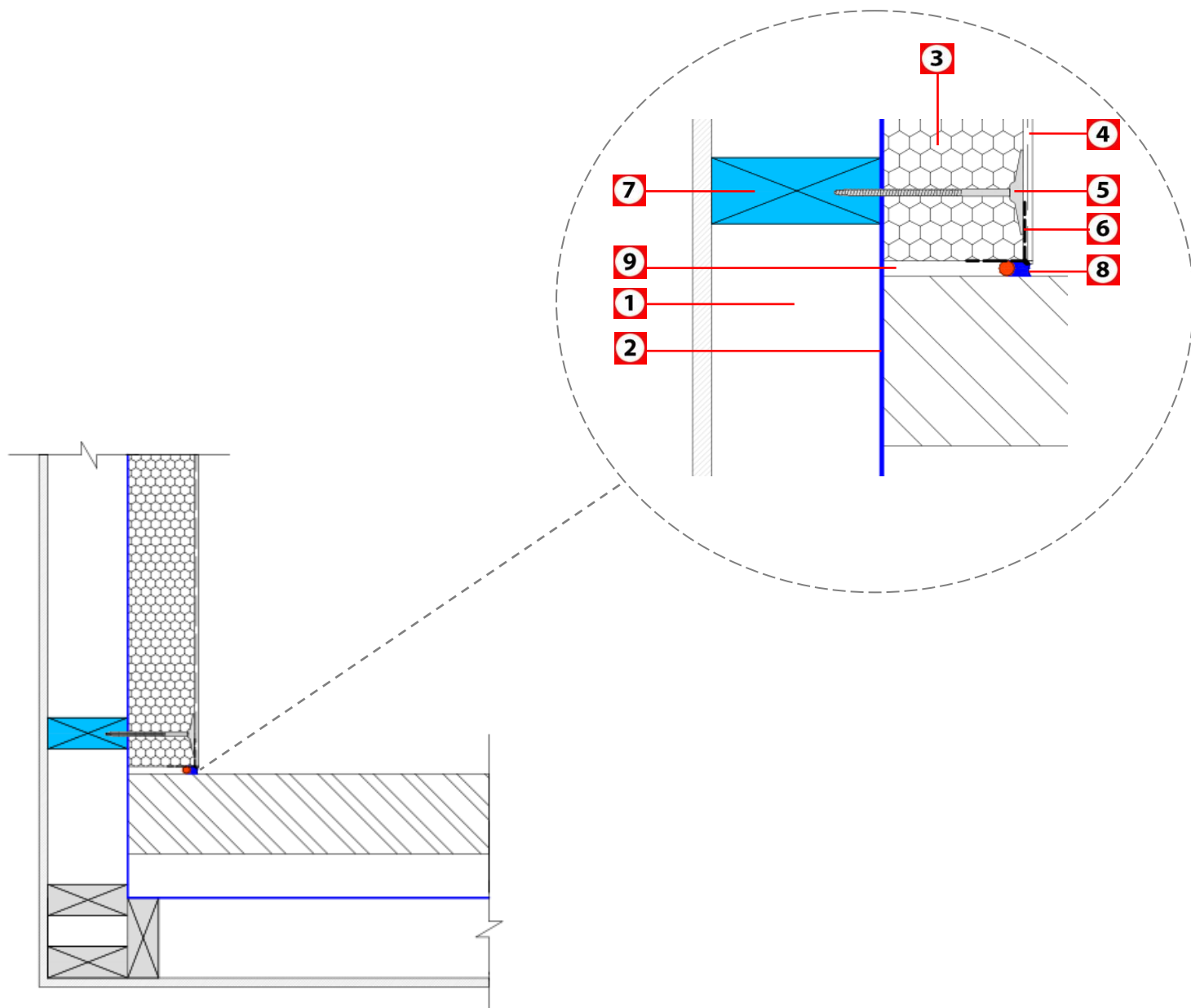


TECHNICAL DRAWINGS

Plan View



- | | |
|---|--|
| 1 Timber Frame (35mm x 90mm) | 6 External Angle |
| 2 Watergate Weatherproof Wrap | 7 Back Block 45x90mm |
| 3 NuCLAD Panel | 8 Corking (Backing Rod/Sealant) to be installed after the render system by a specialist Caulking expert |
| 4 NuCLAD Render System
(With Mesh Embedded into 1 st Basecoat) | 9 Gap to be left between substrates is minimum of 12mm & a maximum of 18mm |
| 5 Class 3 Galvanized Screw & 48mm PVC Washer | |

THE INFORMATION CONTAINED IN THIS DETAIL IS BASED ON OUR EXPERIENCE AND TESTING AND REPRESENTS THE LATEST INFORMATION AVAILABLE AT THE DATE OF ISSUE. THIS DETAIL IS INTENDED FOR USE BY THE DESIGN PROFESSIONAL AND USERS OF NUTEX PRODUCTS TO ASSIST IN DEVELOPING SPECIFIC PROJECT DETAILS TO BE USED IN CONJUNCTION WITH A NUTEX SPECIFICATION. WE RESERVE THE RIGHT TO ALTER OR UPDATE INFORMATION AT ANY TIME WITHOUT PRIOR NOTICE & IT IS THE RESPONSIBILITY OF THE SPECIFIER AND/OR THE PROJECT MANAGER TO ENSURE THAT THEY HAVE THE CURRENT NUTEX DETAILS AND SPECIFICATIONS.

NuTex
Coatings

HEAD OFFICE
287 WELLINGTON ROAD
MULGRAVE VIC 3170
EMAIL: INFO@NUTEX.COM.AU
WEBSITE: WWW.NUTEX.COM.AU

NuCLAD EIFS DIRECT FIX

TD006-V01

**NuCLAD Panel &
Brick Veneer –
Internal Corner**